



39MT™

Heavy Duty Gear Reduction Starter



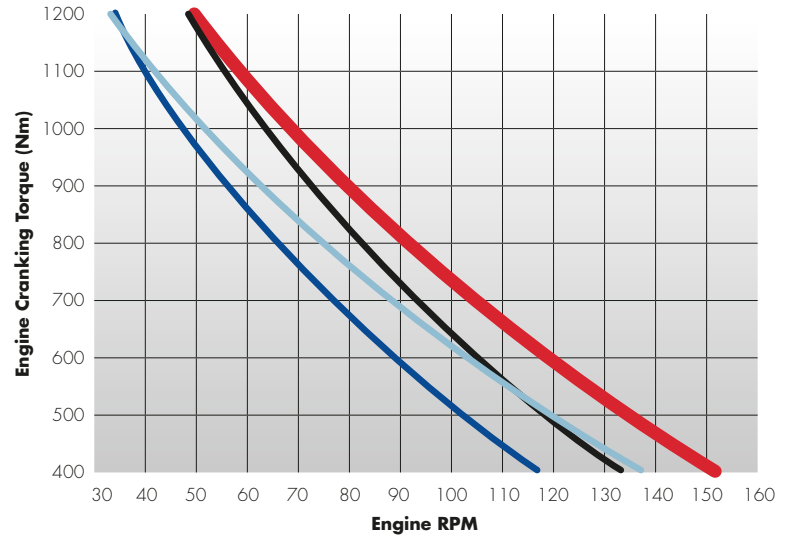
Features & Benefits

- New service models come standard with **Over Crank Protection (OCP)**. OCP monitors the internal temperature and prevents thermal damage to the starter by preventing overcranking.
- These models feature an **Integral Magnetic Switch (IMS)**. IMS reduces voltage drop and ensures the solenoid receives the maximum available voltage in any starting condition.
- **Rotatable flange models** were designed specifically to improve service flexibility and part number consolidation. They easily replace competitive units and provide full industry application coverage.
- **Warranty for All Makes models:**
3 year/unlimited miles*

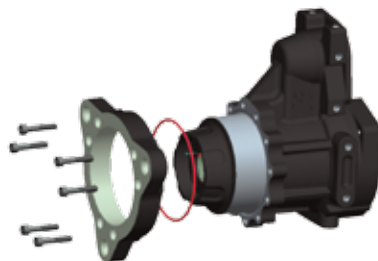
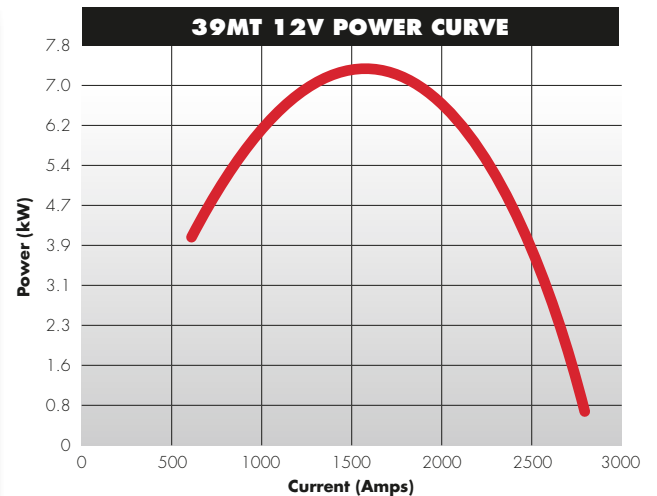
* Applicable to U.S. and Canada only

Cranks up to 30% faster than the competition

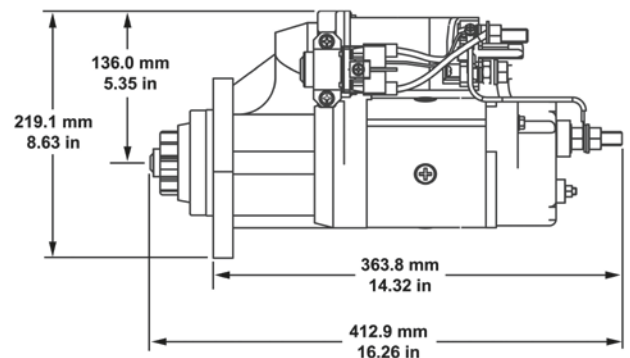
- 39MT
- Mitsubishi 105
- Unipoint
- Denso R5



| SPECIFICATIONS | |
|------------------|---|
| Engine Size | 12V up to 16 Liters 24V up to 16 Liters |
| Rotation | Clockwise |
| Mounting | 12V: SAE #1, SAE #3 24V: SAE #3 |
| Pinion Data | 11 Tooth, 6-8 Pitch 12 Tooth, 8-10 Pitch 12 Tooth, Mod 3-metric |
| Output | 12V peak at 7.3kW 24V peak at 9.0kW |
| Weight | 14 kg/30.8 lbs. |
| Diameter | 114 mm/4.5 inches |
| Heavy Duty Drive | Electrical Soft-Start Engagement System Overrunning Clutch |



Rotatable Flange Design



| OEM | Engine | OE | Reman | All Makes | | Pinion Pitch/Teeth | Competitive Cross Reference |
|------------------------------------|--|--|----------------------|-----------------------------|-----------------------------|--------------------|---|
| | | | | New Service | Rot. Flange | | |
| Freightliner Sterling Western Star | MBE 4000 | 19011525, 8200082, 8200660, 8200687 | 8300008 | 8200287 ¹ | N/A | Mod 3 - 12 tooth | MIB971179, MIB971179FL FL1179 |
| | | 19011514, 8200084, 8200624, 8200690 | 8300013 | | | | |
| | Cummins ISC, ISL | 19011526, 8200081, 8200659, 8200688, 8200783 | 8300007 | N/A | 8200433 | 8/10 - 12 tooth | N/A |
| | | 19011517, 8200087, 8200625, 8200691 | 8300015 | | | | |
| | CAT C15, Cummins ISX, ISM, Detroit S60 | 19011521, 8200090, 8200091, 8200661, 8200686, 8200662 | 8300009 | 8200289 | 8200308 | 6/8 - 11 tooth | MIB970975, MIB970975FL, FLO975, MIB970777, MIB-970777FL, FLO777, FLO579 |
| | | 19011516, 19011518, 19011529, 19011530, 8200623, 8200627, 8200628, 8200692 | 8300019 | | | | |
| | DD 13/15/16 2015 and older | 8200329, 8200671, 8201022 | 8300084 ² | N/A | 8200434 | Mod 3 - 12 tooth | N/A |
| DD 13/15/16 2016 and newer | 8201004 | N/A | 61000704 | N/A | Mod 3 - 11 tooth | | |
| Navistar | Cummins ISX, ISM, CAT C13, C15 | 8200050, 8200091, 8200604, 8200605 | 8300009 | 8200289 | 8200308 | 6/8 - 11 tooth | 3815734C91, IN1478 |
| | DT466, DT570, HT570, Maxxforce DT, 9, 10 | 8200081, 8200659, 8200218, 8200635, 8200219, 8200664, 8200360, 8200672, 8200384, 8200639 | 8300007 | N/A | 8200433 | 8/10 - 12 tooth | MITIN1378 |
| | MaxxForce 11/13 | 8200857, 8200606 | N/A | | 8200817 ⁴ | 8/10 - 12 tooth | 3667911C91, IN2178 |
| Kenworth Peterbilt | CAT C9, C10, C11, C12, C13, C15 | 8200050, 8200090 | 8300009 | 8200290 | 8200308 | 6/8 - 11 tooth | D61-6002-004, D61-6002-008, PC0979, PC1479, PC1879 M983579 |
| | | 19011529, 8200104 | 8300019 | | | | |
| | Cummins ISX, ISM | 8200405 ³ , 8200742 ³ | N/A | 8200742 ³ | N/A | | |
| | Cummins ISC, ISL | N/A | N/A | N/A | 8200433 | 8/10 - 12 tooth | D61-6002-003, PC1379 |
| Mack | Mack E7 | 19011500, 19011505, 19011531, 8200037 | 8300020 | 8200288 | 8200308 | 6/8 - 11 tooth | MK0077 |
| | Mack MP7 | 8200223, 8200612, 8201074 | 8300059 | 8200468 | N/A | 8/10 - 11 tooth | 21001797, MK1075 |
| | Mack MP8 2012 and older | 8200214, 8200572, 8200611, 8200910, 8200417 | 8300060 | 8201100 | | 8/10 - 12 tooth | 21019460, MK2078, 21942885, MK2079 |
| | Mack MP8 2013 and newer | 8201075 | N/A | | | 8/10 - 12 tooth | 22398219 |
| | Mack MP10 | 8200182, 8200610, 8201072 | 8300061 | 8200469 | | 8/10 - 12 tooth | 21045969 |
| | Cummins ISL, ISL-G | 8200768, 8200625, 8201080, 8201081 | 8300007 | N/A | 8200433 | 8/10 - 12 tooth | N/A |
| | Cummins ISX 12G | 8200915, 8201082 | N/A | | 8200971 | 6/8 - 11 tooth | |
| Volvo | Cummins ISX, ISM | 19011516, 19011517, 19011530, 8200091, 8200662, 8200319, 8200820, 8201078, 8201079 | 8300009 | 8200289 | 8200308 | 6/8 - 11 tooth | 20851006, VV0776, VV0977 |
| | Volvo D11 | 8200223, 8200612, 8201073 | 8300059 | 8200468 | N/A | 8/10 - 11 tooth | 21001781, VV1076 |
| | Volvo D12 | 8200058, 8200186, 19011515 | 8300004 | 8200291 | | 8/10 - 12 tooth | VV0279 |
| | Volvo D13 2012 and older | 8200214, 8200572, 8200611, 8200909, 8200417 | 8300060 | 8201100 | | 8/10 - 12 tooth | 21019456, 21989095, VV2079 |
| | Volvo D13 2013 and newer | 8201076 | N/A | | | 8/10 - 12 tooth | 22398223 |
| | Volvo D16 | 8200182, 8200610, 8201071 | 8300061 | 8200469 | | 8/10 - 12 tooth | 21001825, VV1979 |
| Cummins ISX 12G | 8200960, 8201083 | N/A | N/A | 8200971 | 6/8 - 11 tooth | N/A | |
| Autocar | Cummins ISX, ISM | 8200091, 19011530 | 8300009 | 8200289 | 8200308 | 6/8 - 11 tooth | N/A |
| | Cummins ISC, ISL, ISL-G | 8200218, 8200219 | 8300007 | N/A | 8200433 | 8/10 - 12 tooth | |
| Prevost Bus | 24V Detroit S60 | N/A | N/A | N/A | 8200330 | 6/8 - 11 tooth | 510752, PV2479 |
| MCI Bus | 24V Detroit S60, Cummins ISM, CAT C12, C13 | N/A | N/A | N/A | 8200330 | 6/8 - 11 tooth | 71-01-1008, MC2378 |
| Various 24V | CAT C12, C13, C15, Cummins ISM, ISX, N14, Detroit S60, Mack E7 | | | | 8200330 | 6/8 - 11 tooth | N/A |
| | Cummins ISB, ISC, ISL, Navistar DT466, DT530, Volvo D12 | | | | 8200435 | 8/10 - 12 tooth | |
| | Mercedes 4000, DD 13/15 - 2015 and older | | | | 8200436 | Mod 3 - 12 tooth | |

¹ Replacement may mount the engine with solenoid facing down by design. ² Replaces reman P/N 8300058. ³ Integrated OCP.

⁴ Can use 8200433 by removing 6 bolts on the front of the flange and rotating the flange so the solenoid is in the same top position as the OE model.



© BorgWarner Inc.
600 Corporation Drive
Pendleton, IN 46064 USA
For Customer Service or Technical
Assistance call 1-800-372-3555

delcoremy.com

Delco Remy is a registered trademark of General Motors Corporation
licensed to Remy LLC, Pendleton, IN | C11125 | 4-16